

HEINE QUALITY
MADE IN GERMANY



∴ HEINE BETA 200 S® Ophthalmoscope

∴ HEINE BETA 200® Retinoscope





∴ **HEINE BETA 200 S[®] Ophthalmoscope**
Perfection in detail.

A company makes history and gives a name to outstanding product quality: HEINE. Founded in 1947, family owned, rich in tradition and today international market leader in a complete range of diagnostic instruments. HEINE products meet all international standards (ISO/CE) and represent the leading edge in precision and ergonomic design. Ongoing dedication to research and development has created a solid and diverse technology base for continued quality and product leadership. Over 500 employees worldwide contribute to this success.

HEINE QUALITY
MADE IN GERMANY

[HEINE BETA 200 S® OPHTHALMOSCOPE]

ORDER NO [HEAD ONLY] : 3.5 V | [C-02.30.120]

2.5 V | [C-01.30.120]

Superior aspherical optics.

The new BETA 200 S is the first hand-held direct ophthalmoscope with a combination of patented aspherical optics¹⁾ and single-step diopter selection from -36D to +38D for precise lens selection and a crisp, focused fundus image in all diagnostic situations.

HEINE's aspherical optical system uses the Gullstrand principle to separate the illumination and observation beams. Corneal and iris reflexes are avoided and a complete section of the retina is visible even with a small pupil.

7 apertures for diagnostic flexibility in both large and small pupils.

1) U.S. Pat. 4.963.014

- ⋆ **74 single-diopter steps** (from -36 to +38 dpt) for perfect focus even with high refractive error.
- ⋆ **Aspherical optics** avoid corneal and iris reflex.
- ⋆ **7 different apertures** for retinal examination with both large and small pupils.
- ⋆ **Separate interference red-free filter** for improved contrast when viewing retinal blood-vessels.
- ⋆ **A powerful HEINE XHL® Xenon Halogen bulb** for full illumination with bright, white light.
- ⋆ **The optics are mounted on a metal frame** to ensure a lifetime of optical precision.
- ⋆ **The multi-coated, recessed eyepiece** avoids stray light during the examination.
- ⋆ **Dustproof and maintenance-free** for the life of the instrument.
- ⋆ **The ergonomic rounded shape** fits the orbita comfortably. Ergonomic, one-handed operation.
- ⋆ **The soft brow rest** steadies the instrument and protects the examiners glasses.



BETA 200 S
Ophthalmoscope
with BETA handle

Apertures

[A] [B]



[01]
Macula aperture / MicroSpot



[02]
Medium aperture



[03]
Large aperture



[04]
Fixation star with polar co-ordinates



[05]
Hemispot



[06]
Cobalt blue filter

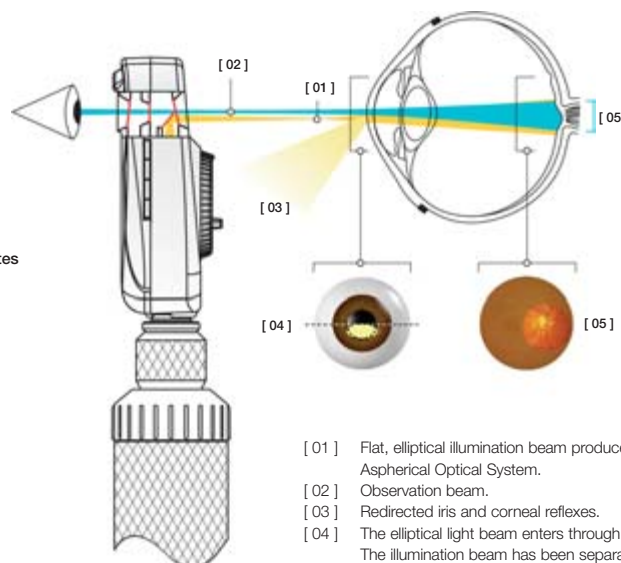


[07]
Slit aperture

[A] without red-free filter
[B] with red-free filter

Patented "Aspherical Optical System" (AOS) exclusively from HEINE

reduces corneal and iris reflexes to provide large, crisp and glare-free fundus images.



[01] Flat, elliptical illumination beam produced by HEINE's patented Aspherical Optical System.

[02] Observation beam.

[03] Redirected iris and corneal reflexes.

[04] The elliptical light beam enters through the lower half of the cornea. The illumination beam has been separated from the observation beam (Gullstrand-Principle). All reflexes are diverted away from the observation beam due to the curvature of the reflective cornea. Due to the flat, compressed form of the light beam, a maximum amount of light enters through the pupil.

[05] Once past the anterior chamber, the light beam opens up dramatically to illuminate a large area of the retina.

∴ **HEINE BETA 200[®] Retinoscope**
A new benchmark.



HEINE QUALITY
MADE IN GERMANY

[HEINE BETA 200® RETINOSCOPE]

ORDER NO [HEAD ONLY] : 3.5 V | [C-02.15.353]

2.5 V | [C-01.15.353]

HEINE ParaStop® for total precision in selecting a parallel beam.

The BETA 200 Retinoscope with ParaStop¹⁾ and the latest in multi-coated optics provides an exceptionally-bright fundus reflex for improved accuracy of diagnosis.

ParaStop was designed and developed to simplify precise selection of a parallel illumination beam. ParaStop helps to determine the cylinder axis more precisely and speeds up subsequent testing after refraction.

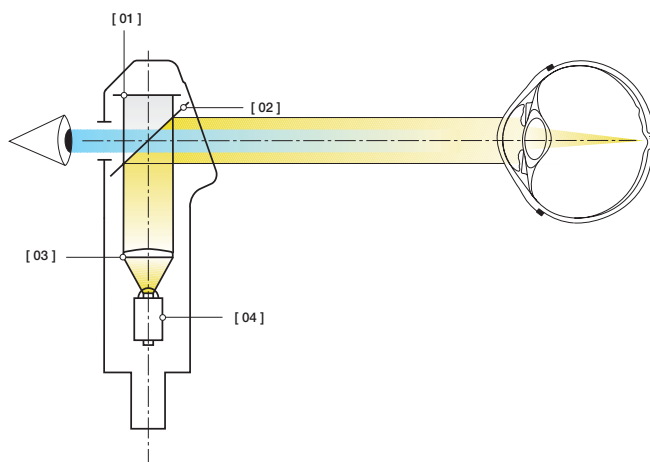
The internal polarisation filter in the BETA 200 eliminates stray light and internal reflex without reducing brightness.

1) U.S. Pat. 5.859.687

- ∴ **ParaStop** simplifies precise selection of a parallel beam.
- ∴ **Multi-coated optics** ensure bright, clear images.
- ∴ **The internal polarisation filter** eliminates stray light and internal reflex.
- ∴ **A single control sleeve** adjusts vergence of the beam and provides streak rotation.
- ∴ **The powerful, bright HEINE XHL® Xenon Halogen bulb** ensures easy recognition of neutralisation.
- ∴ **Can be changed from a streak to a spot retinoscope** by simply changing the bulb.
- ∴ **Instrument controls** are made of metal to guarantee lifelong precision and quality of operation.
- ∴ **Improved ergonomic shape** effectively shields the examiner's orbit from stray light.
- ∴ **Totally-dustproof,** maintenance-free.
- ∴ **Optional detachable orange filter** for light sensitive patients.
- ∴ **Optional holder** for fixation cards available.

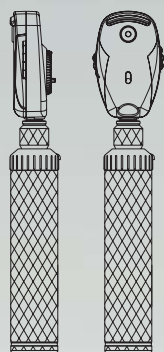
**ParaStop and polarisation filter**

- [01] Polarisation filter: eliminates internal reflex and stray light.
- [02] Semi-reflector mirror: Simultaneous illumination and observation. Reflected light from the retina enters the examiner's eye.
- [03] Condensor lens adjustable by a single control sleeve: Produces a divergent, convergent or parallel beam of light.
- [04] A special retinoscope bulb rotates for diagnosis of the cylinder axis.

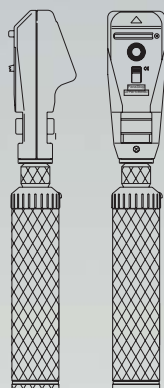


HEINE QUALITY
MADE IN GERMANY





BETA 200 S
OPHTHALMOSCOPE



BETA 200
RETINOSCOPE

[INSTRUMENT HEAD]	2.5 V	3.5 V		
BETA 200 S OPHTHALMOSCOPE including XHL Xenon Halogen bulb. Spare XHL Xenon Halogen bulb	[C-01.30.120] [X-01.88.069]	[C-02.30.120] [X-02.88.070]		
BETA 200 STREAK RETINOSCOPE including XHL Xenon Halogen bulb. Spare XHL Xenon Halogen bulb	[C-01.15.353] [X-01.88.087]	[C-02.15.353] [X-02.88.089]		
BETA 200 SPOT RETINOSCOPE including XHL Xenon Halogen bulb. Spare XHL Xenon Halogen bulb	[C-01.15.363] [X-01.88.088]	[C-02.15.363] [X-02.88.090]		
[SETS]	BETA 2.5 V battery handle	BETA R 3.5 V rechargeable handle	BETA TR 3.5 V rechargeable handle with transformer	BETA NT 3.5 V rechargeable handle with NT200 charger
BETA 200 S OPHTHALMOSCOPE complete with handle, hard case, spare XHL Xenon Halogen bulb	[C-261.10.118]	[C-261.20.376]	[C-261.20.384]	[C-261.20.420]
BETA 200 STREAK RETINOSCOPE complete with handle, hard case, spare XHL Xenon Halogen bulb	[C-34.10.118]	[C-34.20.376]	[C-34.20.384]	[C-34.20.420]
BETA 200 SPOT RETINOSCOPE complete with handle, hard case, spare XHL Xenon Halogen bulb	[C-76.10.118]	[C-76.20.376]	[C-76.20.384]	[C-76.20.420]
BETA 200 S OPHTHALMOSCOPE BETA 200 STREAK RETINOSCOPE complete with handle, hard case and one spare XHL Xenon Halogen bulb for each instrument	[C-262.10.118]	[C-262.20.376]	[C-262.20.384]	[C-262.20.420]
[ACCESSORIES]	BETA 200 S OPHTHALMOSCOPE	BETA 200 STREAK RETINOSCOPE	BETA 200 SPOT RETINOSCOPE	
Replacement bulbholder		[C-00.15.355]	[C-00.15.355]	
Bulb cover		[C-00.15.356]	[C-00.15.356]	
Brow rest		[C-00.15.357]	[C-00.15.357]	
Optional orange filter		[C-00.15.359]	[C-00.15.359]	
Fixation cards with holder		[C-00.15.360]	[C-00.15.360]	
Empty hard case for single instrument sets	[C-144.06.000]	[C-34.00.000]	[C-34.00.000]	
Empty hard case for combined Ophthalmoscope/Retinoscope sets				[C-145.00.000]

General Medicine



med 0302 e

Ophthalmology



med 5000 e

Binocular Loupes



med 4002 e

Pocket diagnostic instruments



med 6500 e

Proctology



med 7000 e

Laryngoscopes



med 6000 e

Veterinary diagnostic instruments



med 7500 e

Lights



med 9000 e

Dermatology



med 8500 e

Bulbs, power sources and handles



med 9500 e

Fiber optics projectors and accessories



med 10000 e

The philosophy: state-of-the-art technology of the highest quality. A complete range of instruments for routine diagnosis from a world market leader HEINE OPTOTECHNIK. Since 1947.

HEINE QUALITY
MADE IN GERMANY

Your distributor

10/04. med 2703e

HEINE OPTOTECHNIK

Kientalstraße 7 · 82211 Herrsching · Germany · Tel. +49 (0) 8152/38-0 · Fax +49 (0) 8152/38-202
e-mail: info@heineopto.de · www.heine.com