



## HEINE BETA 200S® Ophthalmoscope

### Superior aspherical optics and 74 single-diopter steps



- ✦ **Unique optical system.** HEINE optimizes the Gullstrand principle with aspherical optics (separation of illumination and observation beam). Corneal and iris reflexes are eliminated, (see illustration below).  
A full view is guaranteed even with small pupils.
- ✦ **XHL Xenon Halogen Technology.** Bright, white light.
- ✦ **Recessed, multi-coated viewing window.** Avoids stray light.
- ✦ **Dustproof housing.** Maintenance-free.
- ✦ **Optics mounted on precision metal chassis.** Durable, precise.
- ✦ **Ergonomic shape.** Instrument fits the orbita comfortably in any position.
- ✦ **Soft orbital support.** Protects the users' glasses and steadies the instrument.
- ✦ **7 apertures with separate red-free filter.** Suitable for large or small pupils.  
Incorporates slit aperture, fixation star, cobalt blue filter and red-free filter for improved contrast.
- ✦ **Lens range:** Perfect focus even with high refractive errors.

74 single diopter steps  
 + in 1 D steps: +1 through +38 D  
 - in 1 D steps: -1 through -36

<b>BETA 200S Ophthalmoscope</b>	2.5 V	3.5 V
BETA 200S Ophthalmoscope	<b>C-01.30.120</b>	<b>C-02.30.120</b>
XHL Xenon Halogen spare bulb	<b>X-01.88.069</b>	<b>X-02.88.070</b>

#### BETA 200 S apertures



Cobalt blue filter, fixation star with polar co-ordinates, large spot, small spot, pinhole, slit, hemislot

With red-free filter:  
 Cobalt blue filter, fixation star with polar coordinates, large spot, small spot, pinhole, slit, hemislot

#### Patented<sup>1)</sup> "Aspherical Optical System" (AOS) exclusively from HEINE

eliminates corneal and iris reflexes to provide large, crisp and glare-free fundus images.

<sup>1)</sup> US Pat. 4.963.014

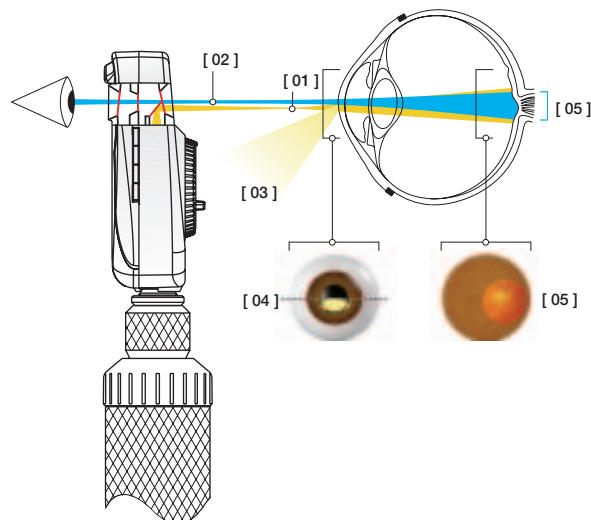
[ 01 ] Flat, elliptical illumination beam produced by HEINE's patented Aspherical Optical System.

[ 02 ] Observation path.

[ 03 ] Redirected iris and corneal reflexes.

[ 04 ] The elliptical light beam enters through the lower half of the cornea. The illumination beam has been separated from the observation beam (Gullstrand-Principle). All reflexes are diverted away from the observation beam due to the curvature of the reflective cornea. Due to the flat, compressed form of the light beam, a maximum amount of light enters through the pupil.

[ 05 ] Once past the anterior chamber, the light beam opens up dramatically to illuminate a large area of the retina.



## HEINE BETA 200® Ophthalmoscope

### The ophthalmoscope with superior aspherical optics

The ophthalmoscope with unique aspherical optics and all the features of the BETA 200S, except for the macula aperture/pinhole and the following lens range:

+ in 1 D steps	1-10	15	20	40	D
- in 1 D steps	1-10	15	20	25	



<b>BETA 200 Ophthalmoscope</b>	2.5 V	3.5 V
BETA 200 Ophthalmoscope	<b>C-01.30.100</b>	<b>C-02.30.100</b>
BETA 200 M2 Ophthalmoscope, like BETA 200, except with fixation star aperture without polar co-ordinates and with pinhole instead of small spot	<b>C-01.30.102</b>	<b>C-02.30.102</b>
XHL Xenon Halogen spare bulb	<b>X-01.88.069</b>	<b>X-02.88.070</b>

#### BETA 200 apertures



Slit, fixation star with polar co-ordinates, cobalt blue filter, large spot, small spot, hemispace



With red-free filter

#### BETA 200 M2 apertures



Slit, fixation star, cobalt blue filter, large spot, pinhole, hemispace



With red-free filter

## HEINE K180® Ophthalmoscope

### The standard direct ophthalmoscope

A full featured instrument at an economical price.

- ∴ **Precision HEINE optics.** Brilliant retinal image.
- ∴ **XHL Xenon Halogen Technology.** Bright, white light. Clear retinal image.
- ∴ **Ergonomical shape.** The instrument fits the orbita comfortably.
- ∴ **Soft orbital rest.** Steadies the instrument and protects your glasses.
- ∴ **Choice of 5 apertures.** For both large and small pupils.  
Choice of fixation star or cobalt blue filter for corneal examination.
- ∴ **Dust-resistant housing.** Maintenance-free.
- ∴ **28 lenses from -35 D to +40 D.** Brilliant image even at high corrections.
- ∴ **High-impact polycarbonate housing for durability.**



<b>K180 Ophthalmoscope</b>	2.5 V	3.5 V
K180 Ophthalmoscope with aperture wheel 1	<b>C-01.30.206</b>	<b>C-02.30.206</b>
K180 Ophthalmoscope with aperture wheel 2 with cobalt blue filter	<b>C-01.30.207</b>	<b>C-02.30.207</b>
XHL Xenon Halogen spare bulb	<b>X-01.88.084</b>	<b>X-02.88.086</b>

#### K180 apertures



Aperture wheel 1



Aperture wheel 2 with blue filter



## HEINE alpha+® Ophthalmoscope

### Superior full-size performance in a compact format

An ophthalmoscope of exceptional quality with no compromises.  
The first 3.5 V Xenon Halogen illumination ophthalmoscope in the compact class.



- ∴ **2.5 V or 3.5 V XHL Xenon Halogen Technology.**  
Bright, white light, especially with 3.5 V.
- ∴ **Optical components mounted on a metal frame.** Constant optical precision, long working life.
- ∴ **Dustproof.** Maintenance-free.
- ∴ **2.5 V battery or 3.5 V rechargeable handles with NiMH battery.**  
Environmentally-friendly, high capacity rechargeable battery.
- ∴ **Four apertures with separate selection of interference red-free filter.**  
Suitable for small pupils. Filter provides increased contrast with each aperture.
- ∴ **Rekoss Disk with 50 Diopters (-30 D to +20 D in single diopter increments) for perfect focus even with high refractive errors.**
- ∴ **High impact polycarbonate housing for durability.**

Aperture wheel I	2.5 V	3.5 V
alpha+ Ophthalmoscope with alpha+ battery handle	<b>D-01.83.120</b>	
same, with alpha+ rechargeable handle		<b>D-02.83.121</b>
same, with alpha+ rechargeable handle and NT 200 B charger		<b>D-02.83.114</b>
alpha+ Ophthalmoscope head without handle	<b>D-01.83.102</b>	<b>D-02.83.102</b>

Aperture wheel II	2.5 V	3.5 V
alpha+ Ophthalmoscope with alpha+ battery handle	<b>D-01.83.220</b>	
same, with alpha+ rechargeable handle		<b>D-02.83.221</b>
same, with alpha+ rechargeable handle and NT 200 B charger		<b>D-02.83.214</b>
alpha+ Ophthalmoscope head without handle	<b>D-01.83.201</b>	<b>D-02.83.201</b>

Aperture wheel III	2.5 V	3.5 V
alpha+ Ophthalmoscope with alpha+ battery handle	<b>D-01.83.311</b>	
same, with alpha+ rechargeable handle		<b>D-02.83.312</b>
same, with alpha+ rechargeable handle and NT 200 B charger		<b>D-02.83.314</b>
alpha+ Ophthalmoscope head without handle	<b>D-01.83.310</b>	<b>D-02.83.310</b>
XHL Xenon Halogen spare bulb	<b>X-01.88.042</b>	<b>X-02.88.101</b>

#### Aperture wheel I



Slit, hemislot, small spot, large spot  
Integrated Red-free filter may be added to all apertures

#### Aperture wheel II



Hemislot, small spot, fixation star, large spot  
Integrated Red-free filter may be added to all apertures

#### Aperture wheel III



Small spot, large spot, fixation star with polar co-ordinates, blue filter  
Integrated Red-free filter may be added to all apertures

## HEINE mini 2000® Ophthalmoscope

**A full range of important features, at a price that matches its size.**

The pocket instrument with quality optics in mini-format. Ideal for rounds and house calls.



- **XHL Xenon Halogen Technology.** Bright, white light with a brilliant image.
- **4 different apertures.** A full-function instrument.
- **Handle and instrument head are separate components.**  
Easy to service, more versatile than one-piece designs.
- **Range of lenses: -20 D to +20 D**
- **High impact polycarbonate housing.**
- **Unique Clip with integrated on/off switch.** Switches off automatically when clipped back in to the pocket.

<b>mini 2000 Ophthalmoscope</b>	2.5 V
with mini 2000 battery handle	<b>D-01.71.119</b>
mini 2000 Ophthalmoscope without handle	<b>D-01.71.104</b>
XHL Xenon Halogen spare bulb	<b>X-01.88.042</b>

### Aperture wheel mini 2000



Large spot, small spot, hemispot, red-free filter

HEINE mini 2000® pocket instruments – a complete range of quality diagnostic instruments for your pocket. Available in black, green or blue. Please specify the colour you prefer when ordering. If not otherwise specified, we will supply black instruments.