



HEINE BETA 200® Retinoscopes with HEINE ParaStop®

HEINE ParaStop® for total precision in selecting a parallel beam



The BETA 200 Retinoscope with ParaStop features the latest multi-coated optics for an exceptionally bright fundus reflex and easier detection of the neutralization point. ParaStop was developed by HEINE for the easy, precise selection of a parallel illumination beam. ParaStop simplifies and speeds up the precise detection of cylinder axis. ParaStop also simplifies the verification of the cylinder correction after refraction.

- ✦ **ParaStop (US Pat. 5,859,687).** Precise, easy selection of a parallel beam.
- ✦ **Dustproof.** Maintenance-free.
- ✦ **Single control for vergence and rotation.** Comfortable operation.
- ✦ **Integrated polarisation filter.** Eliminates stray light and internal reflexes for a brighter pupilling reflex.
- ✦ **Streak or spot Retinoscope.** Simply by changing the bulb.
- ✦ **XHL Xenon Halogen Technology.** Bright, white light. Bright fundus reflex, easy recognition of neutralization point.
- ✦ **Metal controls.** Long-lasting.
- ✦ **Orange filter (optional).** Reduces patient dazzle without affecting the fundus reflex.
- ✦ **Ergonomic shape.** Protects the examiner's orbita from stray light.
- ✦ **Holder for fixation cards (optional).** For dynamic retinoscopy.
- ✦ **Detachable brow rest.** Increased comfort and control during examination.

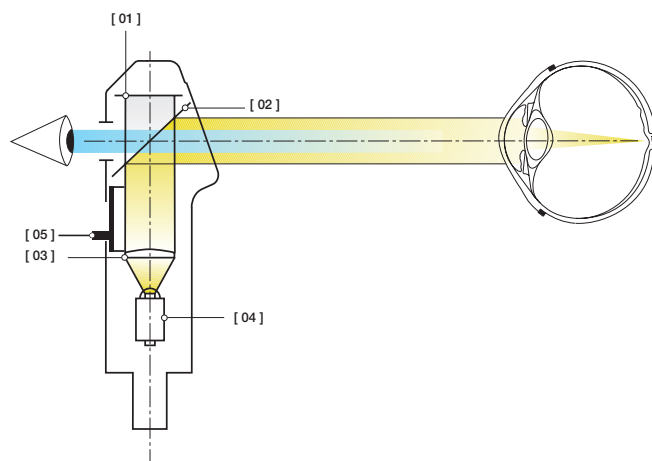
BETA 200 Streak Retinoscope	2.5 V	3.5 V
with XHL Xenon Halogen bulb	C-01.15.353	C-02.15.353
XHL Xenon Halogen spare bulb	X-01.88.087	X-02.88.089

BETA 200 Spot Retinoscope		
with HEINE XHL Xenon Halogen bulb	C-01.15.363	C-02.15.363
XHL Xenon Halogen spare bulb	X-01.88.088	X-02.88.090

Bulb holder	C-00.15.355
Detachable brow rest for spectacle-wearers	C-00.15.357
Orange filter for light-sensitive patients	C-00.15.359
Fixation cards with holder for dynamic retinoscopy	C-00.15.360

HEINE ParaStop® and polarisation filter

- [01] Polarisation filter: eliminates internal reflex and stray light.
- [02] Semi-reflector mirror: Simultaneous illumination and observation. Reflected light from the retina enters the examiner's eye.
- [03] Condensor lens adjustable by a single control sleeve: Produces a divergent, convergent or parallel beam of light.
- [04] A special retinoscope bulb rotates for diagnosis of the cylinder axis.
- [05] ParaStop simplifies and speeds up the precise detection of cylinder axis.



HEINE alpha+® Retinoscopes with HEINE ParaStop®

Superior full-size performance in a compact format



The alpha+ Retinoscope with ParaStop features the latest multi-coated optics for an exceptionally bright fundus reflex and easier detection of the neutralization point. ParaStop was developed by HEINE for the easy, precise selection of a parallel illumination beam. ParaStop simplifies and speeds up the precise detection of cylinder axis. ParaStop also simplifies the verification of the cylinder correction after refraction.

- ∴ **ParaStop (US Pat. 5,859,687).** Precise, easy selection of a parallel beam.
- ∴ **Dustproof.** Maintenance-free.
- ∴ **Single control for vergence and rotation.** Comfortable operation.
- ∴ **Integrated polarisation filter.** Eliminates stray light and internal reflexes.
- ∴ **Streak or Spot Retinoscope.** Simply by changing the bulb.
- ∴ **XHL Xenon Halogen Technology.** Bright, white light. Bright fundus reflex, easy recognition of neutralization point.
- ∴ **Metal controls.** Long-lasting – a fine-quality HEINE instrument.
- ∴ **Orange filter (optional).** Reduces patient dazzle without affecting the fundus reflex.
- ∴ **Ergonomic shape.** Protects the examiner's orbita from stray light.
- ∴ **Holder for fixation cards (optional).** For dynamic retinoscopy.
- ∴ **Detachable brow rest.** Increased comfort and control during examination.
- ∴ **Attractive design.** Matches alpha+ colour scheme. Can only be used with the alpha+ handle system.

alpha+ Streak Retinoscope	2.5 V	3.5 V
with XHL Xenon Halogen bulb	D-01.83.501	D-02.83.501
XHL Xenon Halogen spare bulb	X-01.88.087	X-02.88.089

alpha+ Spot Retinoscope		
with XHL Xenon Halogen bulb	D-01.83.502	D-02.83.502
XHL Xenon Halogen spare bulb	X-01.88.088	X-02.88.090

Bulb holder	D-00.83.506
Detachable brow rest for spectacle-wearers	D-00.83.507
Orange filter for light-sensitive patients	C-00.15.359
Fixation cards with holder for dynamic retinoscopy	C-00.15.360

HEINE ParaStop® and polarisation filter

- [01] Polarisation filter: eliminates internal reflex and stray light.
- [02] Semi-reflector mirror: Simultaneous illumination and observation. Reflected light from the retina enters the examiner's eye.
- [03] Condensor lens adjustable by a single control sleeve: Produces a divergent, convergent or parallel beam of light.
- [04] A special retinoscope bulb rotates for diagnosis of the cylinder axis.
- [05] ParaStop simplifies and speeds up the precise detection of cylinder axis.

