

T A B L E S

A T E 6 0 0

A T E 6 5 0



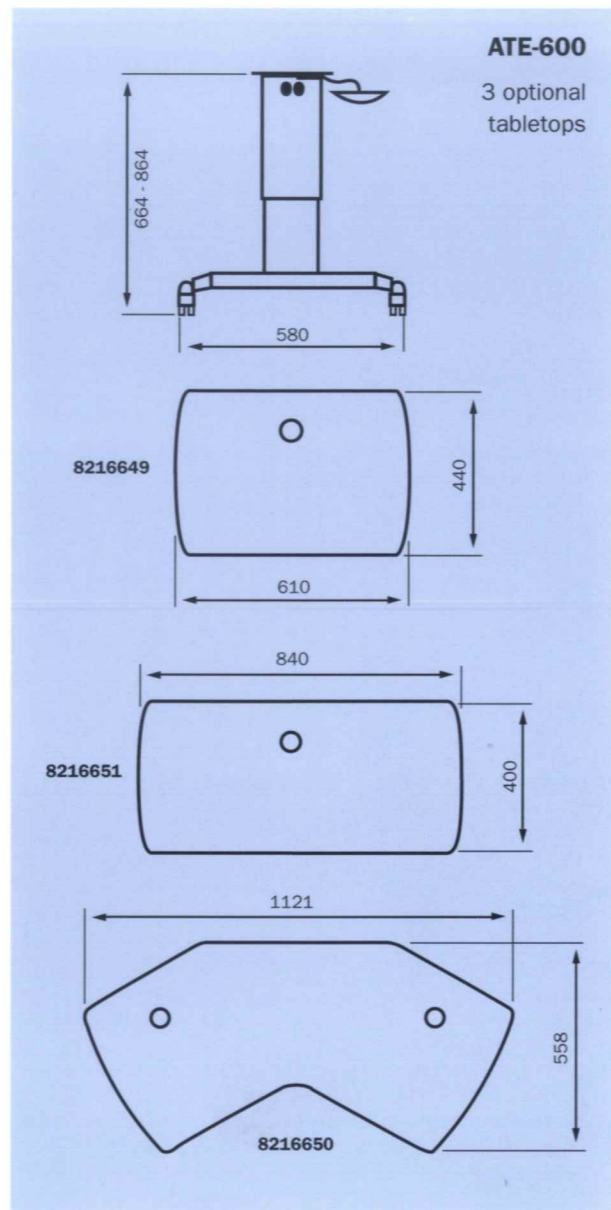
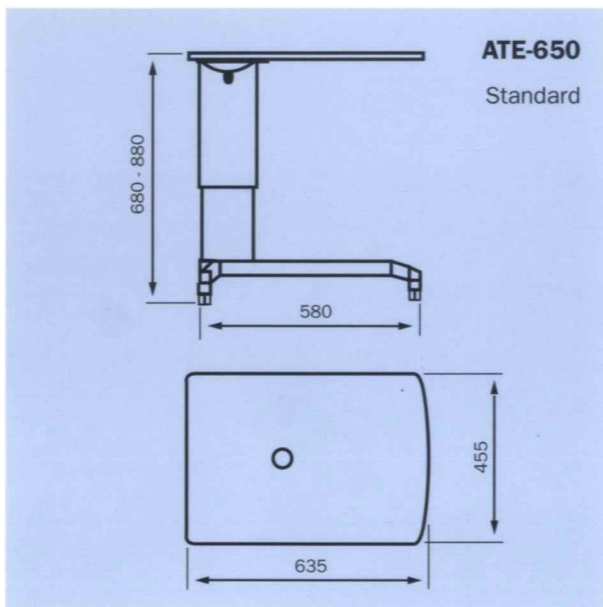
ATE-600



ATE-650

FEATURES OF ATE 600 AND ATE 650

- A stable support with motorized vertical adjustments for loads up to 80 kg
- Both tables have an electric elevation through a range of 200 mm with one-touch ease
- Up-down switch is conveniently located in front of the operator for easy control of its movements
- The ATE 600 has a central standard and is available with three sizes of tabletops
- The ATE 650 has a standard on the side and one size tabletop
- Elegant styling to complement the Topcon instrument range



SPECIFICATIONS

Type	ATE 600 and ATE 650
Stroke	200 mm
Maximum load	80 kg
Power supply	230 V
Frequency	50 Hz
Motor consumption	460 W
Total power ATE 600	1300 W
Total power ATE 650	900 W
Protection degree	IP 21
Net weight	25 kg
Dimensions	See figure
Electric classification	CLASS 1
EC directive	93/42/CEE

Topcon Deutschland GmbH

Weidkamp 180
45356 Essen, Germany
Phone: (+49) 2018619200
Fax: (+49) 2018619270
E-mail: info@topcon.de
www.topcon.de

Topcon Scandinavia A.B.

Neogatan 2
P.O. Box 25
43151 Mölndal, Sweden
Phone: (+46) 31 7109200
Fax: (+46) 31 268607
E-mail: medical@topcon.se

Topcon Danmark

Ringstedvej 125
4000 Roskilde, Denmark
Phone: (+45) 46 327500
Fax: (+45) 46 327555
E-mail: topcon@topcon-dk.dk

Topcon España S.A.

HEAD OFFICE
Frederic Mompou, 5
08960 Sant Just Desvern, Barcelona, Spain
Phone: (+34) 93 4734057
Fax: (+34) 93 4191532
E-mail: medica@topcon.es
www.topcon.es

Topcon S.A.R.L.

HEAD OFFICE
89, rue de Paris
92585 Clichy, France
Phone: (+33) 1 41069494
Fax: (+33) 1 47390251
E-mail: topcon@topcon.fr

Topcon Italy

Via Monfalcone, 39
20092 Cinisello B.mo (MI)
Phone: (+39) 02 6125583
Fax: (+39) 02 6125927
E-mail: topconitaly@tiscali.it

Topcon (Great Britain) Ltd.

Topcon House
Kennet Side
Bone Lane
Newbury
Berkshire RG14 5PX, United Kingdom
Phone: (+44) 1635 551120
Fax: (+44) 1635 551170
E-mail: info@topcon.co.uk
www.topcon.co.uk

Topcon Europe B.V.

Essebaan 11, 2908 LJ
P.O. Box 145, 2900 AC
Capelle a/d IJssel, The Netherlands
Phone: (+31) 10 4585077
Fax: (+31) 10 4585045
E-mail: medical@topcon.nl
www.topconeuropa.com

