

Wheel chair access IS-700

Specific features:

1. The wheel chair version is a factory option
2. Only available in combinations with OC-70 chair
3. Unit stability is guaranteed by optional extra weight or fixation to the floor
4. Designed according to ISO standards for wheelchair configuration:

ISO14971. This norm applies to both the unit and wheel chair.

Besides this standard, we have taken ergonomic principles and dimension issues in consideration. We enclose the following norms:

ISO 6440:1985 & UNE 111-913-91

Nomenclature and features about wheel chairs

ISO 7193:1985 & UNE 111-914-91 & UNE 111-915-91

Dimensions about wheel chairs

ISO 6385:1981

Ergonomic principles in the design of work systems

ISO 7176-5:1986

Wheelchairs. Part 5. Determination of overall dimensions, mass and turning space.

ISO 9241-1/A1:2002.

Part 1. Ergonomic requirements, General introduction.

ISO 9241-5:1999.

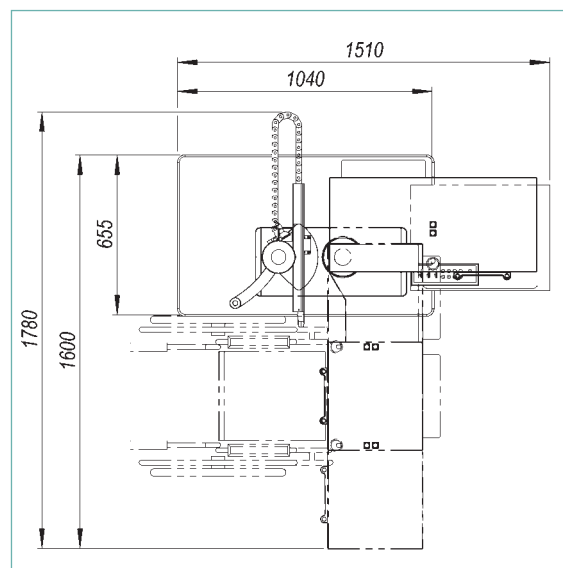
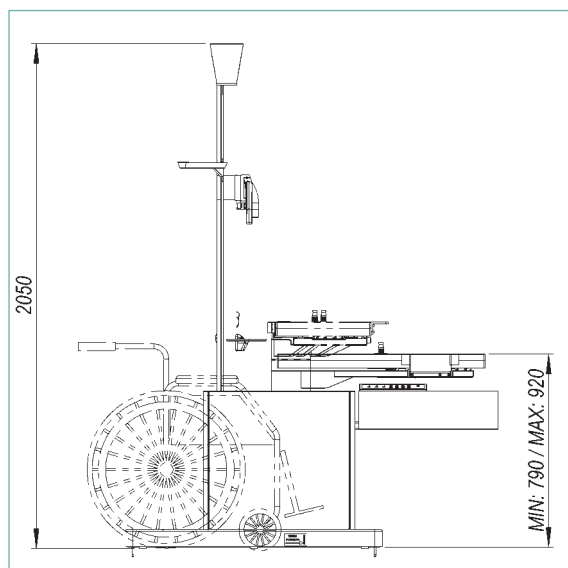
Part 5. Conception of the workplace and postural requirements.

ISO 9241-1:1997.

Ergonomic principles for office workplaces with Data display devices.

ISO 14971:2000

Application to Risk management to medical devices.



Chair height 450-500mm

Average height Chair-eyes 780-820mm

Maximum and kinimumteorital height 850-940mm

Technical specifications

Technical specifications:

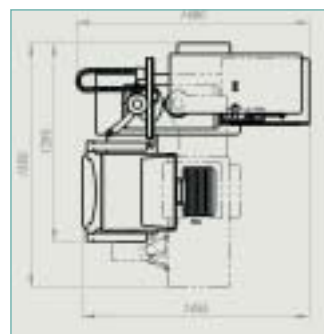
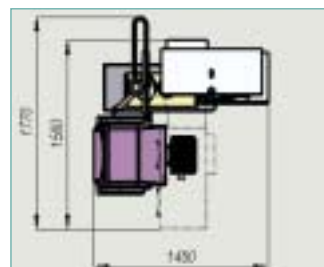
Overall dimensions shown on accompanying drawings

Specifications IS-700	
Instrument table top for two instruments	
Built-in safety stops for tabletop	
Power for instruments	0-12 V / 5 A
Power for near vision lamp	0-12 V / 50 W
Power Digital Camera DC-1	12 V DC / 1 A
Maximum load on phoropter arm VT 70/71	4,5 to 10 KG
Maximum load on table	40 kg
Net weight	192 kg
Power consumption	220-240V AC / 50-60 Hz.
Capacity / Consumption	1300W / V.A. max
PC desk	630 x 600 x 780 mm
Arm for third instrument	360 x 370 x 860 mm
Desk	1210 x 600 x 780 mm
Trial lens drawer and PC	600 x 600 x 780 mm
Holder CV power & FD-21	565 x 430 x 340 mm
Holder CV power	565 x 430 x 175 mm

Specifications OC-70/ OC-76	OC-70	OC-76
Reclining (Full)	No	Yes
Standard base plate	Possible	Possible
Wheelchair base plate	Possible	No
Foldable Armrest	Yes	Yes
Horizontal replacement	Optional (100 mm.)	Yes (100 mm.)
Footrest	Optional	Yes
Maximum Height (on platform)	620 mm.	660 mm.
Minimum Height (on platform)	450 mm.	490 mm.
Maximum Load	175 kg.	175 kg.
Capacity / Consumption (max)	700 W	700 W
Power	230 V AC / 50-60 Hz.	230 V AC / 50-60 Hz.
Net weight	37 kg.	54 kg.

Specifications:

- Chair selections
- IS-700



Subject to change in design and/or specifications without notice.



Topcon Deutschland GmbH
 Giesslerallee 31
 D-47877 Willich, Germany
 Phone: (+49) 2154 885 0
 Fax: (+49) 2154 885 111
 E-mail: info@topcon.de
 www.topcon.de

Topcon Scandinavia A.B.
 Neongatan 2
 P.O. Box 25
 43151 Mölndal, Sweden
 Phone: (+46) 31 7109200
 Fax: (+46) 31 268607
 E-mail: medical@topcon.de

Topcon Danmark
 Praestemarksvej 25
 4000 Roskilde, Danmark
 Phone: (+45) 45 327500
 Fax: (+45) 46 327555
 E-mail: topcon@topcon-dk.dk

Topcon España S.A.
 HEAD OFFICE
 Frederic Mompou, 5
 08960 Sant Just Desvern
 Barcelona, Spain
 Phone: (+34) 93 4734057
 Fax: (+34) 93 4191532
 E-mail: medica@topcon.es
 www.topcon.es

Topcon S.A.R.L.
 HEAD OFFICE
 89, rue de Paris
 92585 Clichy, France
 Phone: (+33) 1 41069494
 Fax: (+33) 1 47390251
 E-mail: topcon@topcon.fr

Topcon Italy
 Via Monfalcone, 39
 20092 Cinisello B.mo (MI)
 Phone: (+39) 02 6125583
 Fax: (+39) 02 6125927
 E-mail: topconitaly@tiscali.it
 www.topcon.it

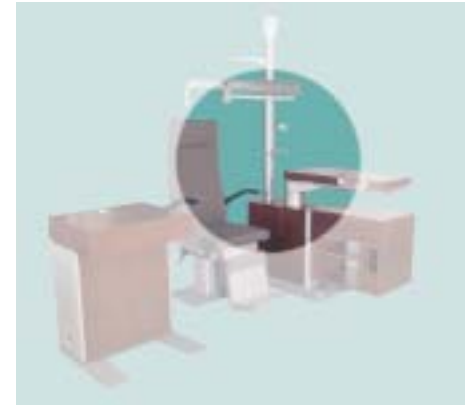
Topcon (Great Britain) Ltd.
 Topcon House
 Kennet Side
 Bone Lane
 Newbury
 Berkshire RG14 5PX
 United Kingdom
 Phone: (+44) 1635 551120
 Fax: (+44) 1635 551170
 E-mail: info@topcon.co.uk
 www.topcon.co.uk

Topcon Ireland
 Unit 69, Western Parkway
 Business Centre
 Lower Ballymount Road
 Dublin 12
 Phone: (+353) 1460 0021
 Fax: (+353) 1460 0129
 E-mail: topcon@indigo.ie

Topcon Europe B.V.
 Essebaan 11
 2908 LJ Capelle a/d IJssel
 P.O. Box 145
 2900 AC Capelle a/d IJssel
 The Netherlands
 Phone: (+31) 10 4585077
 Fax: (+31) 10 4585045
 E-mail: medical@topcon.nl
 www.topconeurope.com

IS-700

OPHTHALMIC UNIT



Unit

The IS-700 provides modular components for all your refraction needs in various configurations.

Unique is the wheel chair configuration. The IS-700 offers you enhanced integration for Topcon instruments and other refraction equipment.

- Both right and left units are available with or without table top elevation
- Various phoropter arms.
- Improved new phoropter arm with linear movement
 - VT-72 for especially computerized phoropter
 - VT-70 with mechanical lock and phoropter arm
 - VT-71 with automatic balancing system
- Selection of wooden finishes are available
- Superb cabling for data and power cables
- Standard trial lens drawer
- Dedicated glass plate for customer frames
- Wheel chair access possibility (factory option)
- Various optional accessories are available for creating your ideal setup such as several holders for power supplies of phoropter and slitlamp flash, two types of desks and an optional arm for a third instrument.



VT-72 lineal movement left/right



VT-70 silver grey



Near vision lamp



Furniture colour options

Different finishing sets; the IS-700 unit is available in two painted colours and three types of wood;

When configuring the unit there is an finishing set option for the table top, chassis cover and standard trial lens drawer in standard white and light blue colours, or Maple, Cherry and Sapelli wood.



Maple wood sample Cherry wood sample Sapelli wood sample Blue painted sample White painted sample

Furniture composition / layout examples



Color samples may differ due to printing and use of natural wood products

Chair colour options

Chair line up:

- Two basic models;
 - OC-70 (fixed back, movable armrest, optional footrest)
 - OC-76 (fully reclining, movable armrest, including footrest, horizontal replacement)
- Horizontal replacement as option for OC-70
- Low starting position of the chair for easy access of children and smaller patients
- Standard available in three colors; black, blue and grey



OC-70 chair black semi leather



OC-70 with base plate and wheels
(can be moved in case of wheel chair set up)



black



blue

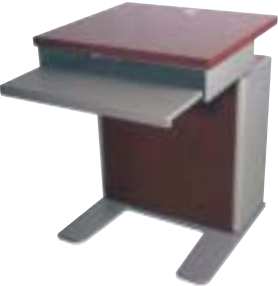


grey



OC-76 chairs grey with footrest

Options accessory



PC desk



Arm Third instrument



Table top extender for larger instrument installation



Desk



Trial lens drawer with pc housing



Holder for CV power & FD-21



Holder for CV power